

Q6 Edge® HD

PRODUCT SPECIFICATIONS SHEET

| | |
|--|--|
| Class of Use | B (Group 3) |
| Weight Capacity | 500 lbs. (227 kg/35 stone 10 lbs.), with TRU-Balance® Bariatric Tilt/Synergy Seat, United Kingdom only 450 lbs. (204 kg/32 stone 2 lbs.), with TRU-Balance® 3 HD Power Tilt 450 lbs. (204 kg/32 stone 10 lbs.) 400 lbs. (181 kg/28 stone 8 lbs.) with TRU-Balance® 10-inch Power Adjustable Heavy Duty Lift |
| Maximum Speed ¹ | Up to 4.7 mph (7.6 km/h) Up to 4 mph (6.4 km/h), United Kingdom only |
| Ground Clearance ² | 3.5 in. (89 mm) at motor 3 in. (76 mm) at base frame 2.5 in. (64 mm) at caster pivot |
| Turning Radius ² | 19.75 in. (502 mm) |
| Overall Size ^{2, 6, 7} | Length: 49.1 in. (1248 mm) with front rigging 35.6 in. (904 mm) without front rigging Width: 26.25 in. (667 mm) |
| Drive Wheels | 14 in. (356 mm), solid (standard); pneumatic (optional) |
| Caster Wheels | Front: 6 in. (152 mm) solid Rear: 6 in. (152 mm) solid |
| Suspension | ATX Suspension (Active-Trac® with extra stability) |
| Range ^{1, 4} | Up to 17.5 miles (28.1 km) with 14 in. (356 mm) solid and pneumatic tires Up to 15.66 miles (25.2 km) with knobby extended-traction tires |
| Component Weights ^{5, 8} | Base: 143.5 lbs (65 kg) Batteries: Group 24: 52 lbs. (23.6 kg) each Total Mass of Power Chair: Less than 436.8 lbs. (198 kg) |
| Drivetrain | Two motor, Mid-wheel 6® Drive |
| Brakes | "Intelligent Braking" electronic regenerative, disc park brake |
| Batteries ³ | Two 12-volt, deep-cycle Group 24 |
| Battery Charger | 8-amp, off-board |
| Freewheel Operational Force | Less than 60 N |
| Drive Control Operational Force | Less than 5 N |
| Maximum Rated Slope | 7.5° (13.2%) United States only 6° (10.5%) |
| Maximum Obstacle Climbing Ability (Ascending and Descending) | Up to 3.5 in (89 mm) |
| Measured Sound Level (A-weighted) | Less than 65 dB |

¹ Varies with base model, user weight, terrain type, battery amp hour rating (Ah), battery charge, battery condition, motors, controller type, tire type, and tire condition. This specification is subject to a variance of +10%, -5%.

² Due to manufacturing tolerances and continued product improvement, this specification can be subject to a variance of (+ or -) 3%.

³ AGM, Gel-Cell, or Hybrid Gel (Hybrid Gel is defined as Nano Silica Gel Electrolyte with High Quality Glass Mat Separators) type required. See "Batteries and Charging."

⁴ Tested in accordance with ANSI/RESNA, WC Vol. 2, Section 4 & ISO 7176-4 standards. Results derived from theoretical calculations based on battery specifications and drive system performance. Test conducted at maximum weight capacity. Battery weight may vary based on manufacturer.

⁵ Dimensions listed are for power base only. Overall measurements will vary based on seating and accessory selections.

⁷ Maximum seat size is a 28-in. wide by 28-in. deep TRU-Balance® Bariatric Tilt.

⁸ Total mass of power chair(s), outlined in this document, represents the mass of the power chair(s) as tested with manufacturer-installed transit system at the time it was manufactured. The addition of the after-market accessories or changes to the tested configuration will invalidate the mass value.

NOTE: This product conforms to all applicable ANSI/RESNA, ISO 7176 Series, AS/NZS 3695.2, and EN12184 standards. All specifications subject to change without notice.

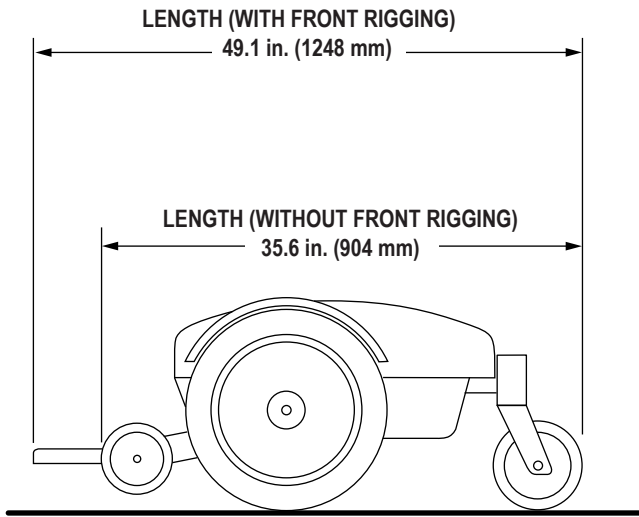


Rev C/February 2020

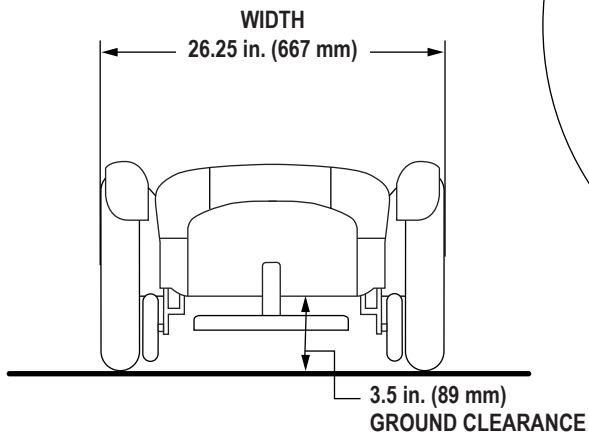
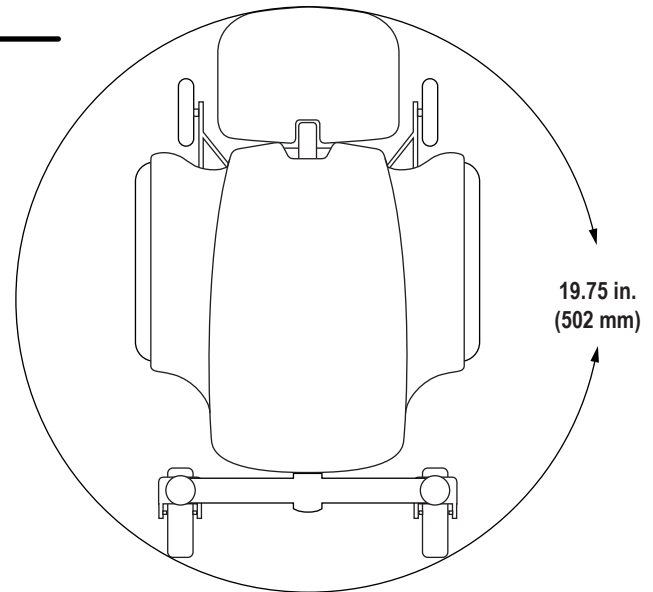


Q6 Edge[®] HD

PRODUCT SPECIFICATIONS SHEET



TURNING RADIUS



Rev C/February 2020

