



# Order form R-Trak

## Standard features

- Rearwheel drive
- Speed 10 km/h
- 14" pneumatic drive wheels
- 9" flat free caster wheels
- Automotive-grade SRS (Smooth Ride Suspension)
- Bluetooth connectivity
- TRU Balance seating
- Flip-up armrest
- Max user weight capacity
- ISO7176-19 Crashtested

## 1. GENERAL INFORMATION

Order date: \_\_\_\_\_  
 Order ref: \_\_\_\_\_  
 Client number: \_\_\_\_\_

### Invoice address

Company name: \_\_\_\_\_  
 Address: \_\_\_\_\_  
 Post code + city: \_\_\_\_\_  
 Country: \_\_\_\_\_  
 Phone: \_\_\_\_\_  
 Email: \_\_\_\_\_

### Delivery address

*same as invoice address*

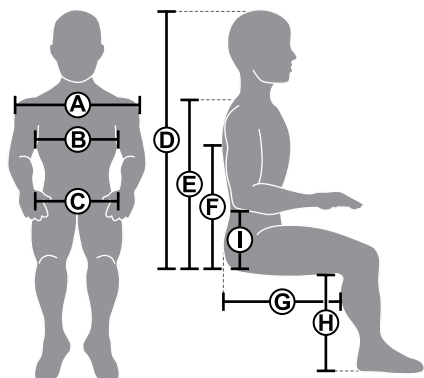
Address: \_\_\_\_\_  
 Post code + city: \_\_\_\_\_  
 Country: \_\_\_\_\_



**Base price: € 9.040,00**

## 2. PATIENT INFORMATION

Weight \_\_\_\_\_ A. Shoulder width \_\_\_\_\_ D. Max sitting height \_\_\_\_\_ G. Thigh depth \_\_\_\_\_  
 Height \_\_\_\_\_ B. Chest width \_\_\_\_\_ E. Shoulder height \_\_\_\_\_ H. Lower leg length \_\_\_\_\_  
 C. Hip width \_\_\_\_\_ F. Axilla height \_\_\_\_\_ I. Elbow height \_\_\_\_\_



\_\_\_\_\_

\_\_\_\_\_

\_\_\_\_\_

\_\_\_\_\_

\_\_\_\_\_

\_\_\_\_\_

### 3. BASE COLOR

#### 3.1 Standard colors

 Red Corvette	No charge
 Electric Blue	No charge
 Back in Black	No charge
 Green Machine	No charge

#### 3.2 Optional colors (add to lead time)

 Night Train	€ 85,00
 Grey Street	€ 85,00
 Deep Purple	€ 85,00
 Evolution Orange	€ 85,00
 Blue Jean	€ 85,00
 Lemon Crush	€ 85,00
 Military Green	€ 85,00

### 4. ACCENT COLORS

Drive wheel accent colour

Soft Black	Standard
Match to Base color	No charge
Other:	No charge

Joystick shroud (Q-Logic only)

Soft Black	Standard
Match to Base color	No charge
Other:	No charge



### 5. LIGHT PACKAGE

No light package	Standard
Full light package, LED + Indicators	€ 650,00
Fender lights	€ 150,00

### 6. TRANSIT PACKAGE

Unoccupied

Occupied

### 7. DRIVE MOTORS

6,4 km/h	No charge
10 km/h (2-pole)	Standard
11,3 km/h (4-pole)	€ 1.250,00

## 8. DRIVE WHEELS

3" x 14" Pneumatic (pair)	Standard
3" x 14" Flat Free (pair)	€ 275,00
4" x 14" Pneumatic (pair) - extra wide high profile tires	€ 499,00
4" x 14" Flat Free (pair) - extra wide high profile tires	€ 649,00

## 9. CASTER WHEELS

9" Flat free	Standard
--------------	----------

## 10. BATTERIES

### 10.1 Batteries

No batteries	No charge
75 Ah, AGM (set)	€ 799,00

### 10.2 Chargers

No charger	No charge
8 Amp charger	€ 345,00

## 11. ELECTRONICS

### 11.1 Standard joystick

Q-Logic Joystick	Standard
Q-Logic 3e Joystick	No charge
R-net	€ 199,00

### 11.2 Alternative Joystick Handles

Mushroom Handle (11.1)	€ 95,00
Chin Cup (11.2)	€ 95,00
T-Bar (11.3)	€ 95,00
Medium Ball Handle (11.4)	€ 95,00
Soft Ball Handle (11.5)	€ 95,00
Extended I-Handle (11.6)	€ 95,00
Bodypoint 3" Goal Post Handle (11.7)	€ 140,00





## 11.3 Joystick Mounting Brackets

Fixed		<b>Standard</b>
Mounted:	Left Right	
Swing away - Outward / Inward movement		€ 195,00
Mounted:	Left Right	

## 11.4 Joystick Accessories

Q-Logic - Enhanced display		€ 1.792,65
Mounted:	Left Right	
Q-Logic - iAccess - toggle button		€ 575,00
Mounted:	Left Right	
Q-Logic - iAccess - flat button		€ 575,00
Mounted:	Left Right	
Q-Logic - Attendant control		€ 650,00
Mounted:	Left Right	
Q-Logic - Stand alone joystick <i>Delivered not mounted</i>		€ 650,00
Q-Logic - 4 Function push button <i>Only compatible with flip-back armrests</i>		€ 325,00
Mounted:	Left Right	
Q-Logic - SCIM (Special Control Input Module)		€ 660,00
Mounted:	In electronic box On backrest	
Q-Logic - IR blaster <i>Mounted to hand control</i>		€ 50,00
Q-Logic - USB charger <i>Mounted on armrest opposite joystick</i>		€ 195,00

## 12. TRU-BALANCE SEATING OPTIONS

### 12.1 Seating

Static seat	<b>Standard</b>
Power tilt	€ 1.575,00
Power lift 254 mm + tilt 50°	€ 3.036,00

### 12.2 Backrest

Static backrest	<b>Standard</b>
Power recline	€ 1.278,00

## 13. SEAT HEIGHT

Static	420 mm (Low)	445 mm (Middle)	470 mm (High)
Power Lift/Tilt	455 mm (Low)	470 mm (Middle)	495 mm (High)

## 14. SEAT SIZE

Seat Width			Seat Depth		
Category 1	Category 2	Category 3	Category 1	Category 2	Category 3
305 mm	406 mm	508 mm	305 mm	406 mm	508 mm
330 mm	432 mm	533 mm	330 mm	432 mm	533 mm
356 mm	457 mm	559 mm	356 mm	457 mm	559 mm
381 mm	483 mm		381 mm	483 mm	
406 mm	508 mm		406 mm	508 mm	

## 15. SEAT CUSHION

No seat cushion	-	
Standard cushion		<b>Standard</b>
Stealth Simplicity G cushion	Width: 254 - 508 mm (10" - 20")	€ 120,64
Pro Standard cushion	Width: 380 - 560 mm	€ 373,15
Pro Comfort cushion	Width: 380 - 560 mm	€ 378,27
Stealth Glacial SP cushion	Width: 406 - 508 mm (16" - 20")	€ 360,88
Stealth Glacial SP cushion	Width: 559 mm (22")	€ 480,48
Stealth Zen SP cushion	Width: 254 - 533 mm (10" - 21")	€ 344,24
Stealth Premiere P cushion	Width: 355 - 508 mm (16" - 20")	€ 354,64
Stealth Premiere P cushion	Width: 559 mm (22")	€ 518,96
Stealth TRU-Comfort 2 SPP cushion	Width: 355 - 533 mm (14" - 21")	€ 436,80
Stealth TRU-Comfort 2 SPP cushion	Width: 559 mm (22")	€ 546,00
Stealth Essence SPP cushion - NO WEDGE	Width: 381 - 508 mm (16" - 20")	€ 436,80
Stealth Essence SPP cushion - NO WEDGE	Width: 559 mm (22")	€ 546,00
Stealth Essence SPP cushion - SMALL WEDGE	Width: 381 - 508 mm (16" - 20")	€ 475,28
Stealth Essence SPP cushion - SMALL WEDGE	Width: 559 mm (22")	€ 584,48
Stealth Essence SPP cushion - MEDIUM WEDGE	Width: 381 - 508 mm (16" - 20")	€ 507,52
Stealth Essence SPP cushion - MEDIUM WEDGE	Width: 559 mm (22")	€ 616,72
Stealth Essence SPP cushion - LARGE WEDGE	Width: 381 - 508 mm (16" - 20")	€ 540,80
Stealth Essence SPP cushion - LARGE WEDGE	Width: 559 mm (22")	€ 650,00
Stealth Solution SPP cushion	Width: 254 - 508 mm (10" - 20")	€ 409,76
Stealth Spectrum Gel SPP cushion	Width: 355 - 508 mm (14" - 20")	€ 502,32
Stealth Spectrum Foam SPP cushion	Width: 254 - 508 mm (10" - 20")	€ 502,32

## 16. BACK SIZE

		BACK WIDTH								
		305mm	356mm	406mm	432mm	457mm	483mm	508mm	559mm	601mm
OVERALL BACK HEIGHT	432mm	✓								
	457mm	✓								
	483mm		✓	✓	✓	✓	✓	✓	✓	
	508mm		✓	✓	✓	✓	✓	✓	✓	
	533mm			✓	✓	✓	✓	✓	✓	✓
	559mm			✓	✓	✓	✓	✓	✓	✓
	584mm			✓	✓	✓	✓	✓	✓	✓
	601mm			✓	✓	✓	✓	✓	✓	✓
	635mm			✓	✓	✓	✓	✓	✓	✓
	660mm			✓	✓	✓	✓	✓	✓	✓
	686mm					✓		✓		
	711mm					✓		✓		

### 16.1 Back width

305 mm (12")	432 mm (17")	508 mm (20")
356 mm (14")	457 mm (18")	559 mm (22")
406 mm (16")	483 mm (19")	601 mm (24")

### 16.2 Overall back height

432 mm (17")	533 mm (21")	635 mm (25")
457 mm (18")	559 mm (22")	660 mm (26")
483 mm (19")	584 mm (23")	686 mm (27")
508 mm (20")	601 mm (24")	711 mm (28")

## 17. BACKREST OPTIONS

For more options, see [Stealth Back Cushion Order Form](#)

TRU-Comfort Back 305 - 508 mm	<b>Standard</b>
TRU-Comfort Back 559 - 601 mm	<b>No charge</b>
No back pan/cushion	<b>No charge</b>
After-market back interface	€ 399,00
Q-BACK 2.0 Active contour	€ 525,00
Q-BACK 2.0 Deep contour	€ 545,00
Q-BACK 2.0 Extra deep contour	€ 595,00

## 18. ARMRESTS

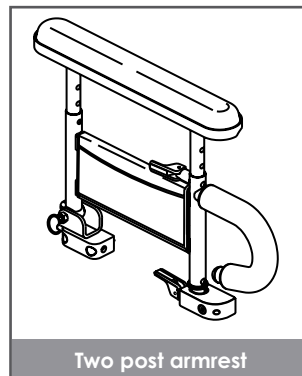
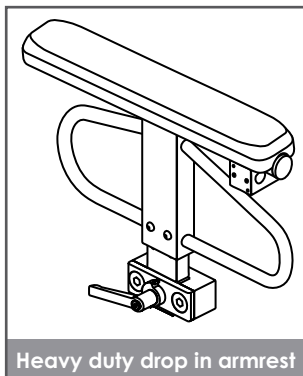
### 18.1 Flip-back armrests

Flip-back armrests	<b>Standard</b>
<b>a. Height - left armrest</b>	
203 mm      279 mm      330 mm	
254 mm      305 mm      356 mm	
<b>b. Height - right armrest</b>	
203 mm      279 mm      330 mm	
254 mm      305 mm      356 mm	
<b>c. PU foam armpads</b>	
Desk length - 254 mm left	<b>No charge</b>
Desk length - 254 mm right	<b>No charge</b>
Standard length - 356 mm left	<b>Standard</b>
Standard length - 356 mm right	<b>Standard</b>
XL length - 432 mm left	<b>No charge</b>
XL length - 432 mm right	<b>No charge</b>
<b>d. Gel armpads</b>	
Falcon gel, full length, left and right	<b>€ 310,00</b>
Falcon gel, desk length, left and right	<b>€ 195,00</b>
<b>e. Side track accessory bracket</b>	
Flip-back armrest, side track accessory bracket	<b>€ 12,00</b>
<b>f. Downpost</b>	
Downpost assembly	<b>€ 245,00</b>



### 18.2 Other armrests

Two post, flip-back, height adjustable, removable, waterfall armpads	<b>€ 799,00</b>
Heavy duty drop in armrest	<b>€ 689,00</b>
203 - 305 mm height	
254 - 356 mm height	





## 19. HEADRESTS

For more options, see [Stealth Positioning - Headrests Order Form](#)

No headrest	Standard
TRU-Comfort mesh 250 mm headrest	€ 289,00
Stealth 6" Comfort Plus with cool core cover + UniLink Mounting bracket	€ 445,94
Stealth 8" Comfort Plus with cool core cover + UniLink Mounting bracket	€ 445,94
Stealth 10" Comfort Plus with cool core cover + UniLink Mounting bracket	€ 445,94

## 20. LAP BELTS

For more options, see [Stealth Positioning - Belts Order Form](#)

1270 mm lap belt <i>For unoccupied transit</i>	Standard
1524 mm lap belt <i>For occupied transit</i>	No charge
Retractable seatbelt	€ 172,53

## 21. LEGRESTS

### 21.1 Legrest length

**Set legrest length at:** \_\_\_\_\_ mm

*(measured from seat plate to foot plate)*

**INSTRUCTIONS: Select one of the legrests at 21.2, 21.3 or 21.4**

### 21.2 Center mount foot platform

#### a. Foot platform assembly

Manually adjustable center mount foot platform	Standard
Static foot platform (heavy duty)	€ 535,00
Power articulating foot platform <i>Only available from a seat width of 356 mm (14") in combination with power lift</i>	€ 2.178,00
Power articulating foot platform - custom high/low <i>Only available from a seat width of 356 mm (14") in combination with power lift</i>	€ 2.580,00

#### b. Lower extension and angle adjustable footplates

- 254 - 406 mm height adjustable (A), 203 mm (8") footplates (B)
- 254 - 406 mm height adjustable (A), 279 mm (11") footplates (B)
- 330 - 483 mm height adjustable (A), 203 mm (8") footplates (B)
- 330 - 483 mm height adjustable (A), 279 mm (11") footplates (B)



#### c. Calf pads

- Medium
- Large



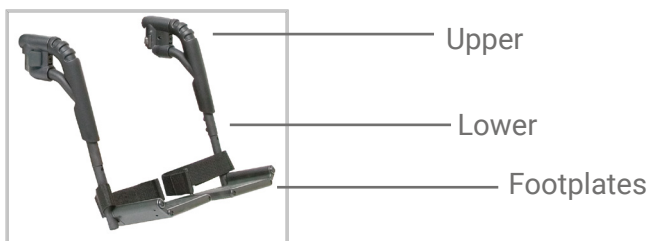
#### d. Additional options

Width extension for 203 mm (8") footplates	€ 50,00
Width extension for 279 mm (11") footplates	€ 50,00
Bell shaped extension for 279 mm (11") footplates	€ 40,00
152 mm (6") outside edges (pair) <i>Not available with width extension for 203 mm (8") footplates</i>	€ 40,00
Calf pad cover (Dartex) (pair)	€ 95,00
Wheel bumpers (pair)	€ 12,50
Footplate connector	€ 15,00

### 21.3 70° swing-away legrests

70° swing-away legrest (A)

No charge



#### a. Lower extension

278 - 330 mm length

278 - 419 mm length

330 - 419 mm length

393 - 495 mm length

#### b. Footplates

Extruded footplate 184 x 152 mm

Extruded footplate 215 x 152 mm

Angle adjustable footplates with heel loops 127 x 203 mm

Angle adjustable footplates with heel loops 203 x 280 mm

### 21.4 Swing-away elevating legrests

Manual elevating legrests  
*Calfpads and heelloops included*

€ 599,00

Power elevating legrests  
*Calfpads and heelloops included*

€ 1.890,00

#### a. Upper extension

Standard length  
*290 - 430 mm length*

Long length  
*370 - 560 mm length*

#### b. Footplates

105 x 175 mm  
*Suitable for a seat width of 305 - 356 mm (12" - 14")*

124 x 175 mm  
*Suitable for a seat width of 356 - 406 mm (14 - 16")*

148 x 175 mm  
*Suitable for a seat width of 406 mm (16") and bigger*

## 22. ACCESSORIES

Cane/crutch holder <i>*only in combination with accessory bar*</i>	€ 85,00
Rear view mirror	€ 30,00
Swing-away tray table (24.1)	€ 595,00
Oxygen holder (24.2) <i>*only in combination with accessory bar*</i>	€ 105,00
Clothing guard (pair)	€ 209,00
Hydration system (24.3) <i>*only in combination with accessory bar*</i>	€ 255,00
Glove box (24.4)	€ 129,00
Transfer bar (pair) (24.5)	€ 280,00
Cup holder	€ 10,00
Personal item hook (24.6)	€ 50,00
Reflector kit	€ 25,00
Backpack holder (pair)	€ 35,00
Front mounted cell phone/ media holder x-grip (24.7)	€ 85,00
Large tablet holder	€ 425,25
Trilogy vent tray (24.8) <i>*only in combination with accessory bar*</i>	€ 265,00
Push handles (pair) (24.9)	€ 70,00
Accessory bar	€ 150,00
Back up camera	€ 499,00
Joystick mounted display	<b>No charge</b>
Gooseneck mounted display	<b>No charge</b>



Image 22.1



Image 22.2

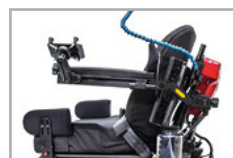


Image 22.3



Image 22.4



Image 22.5



Image 22.6



Image 22.7



Image 22.8

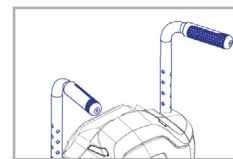


Image 22.9